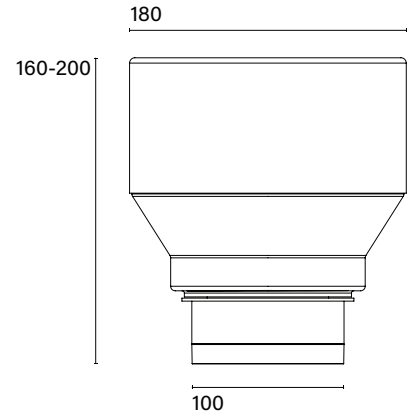
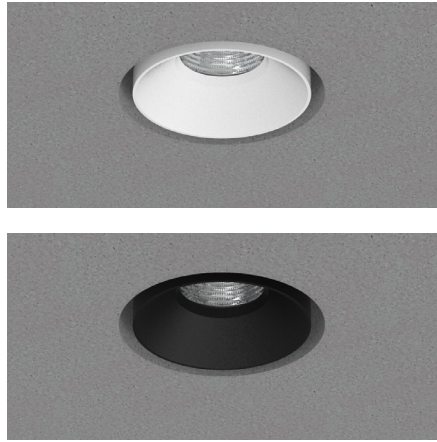


Mono 100 Trimless Concrete Type 1



Model

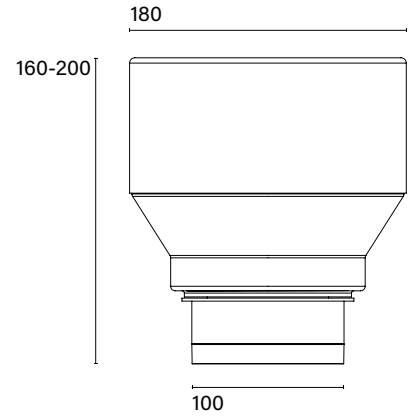
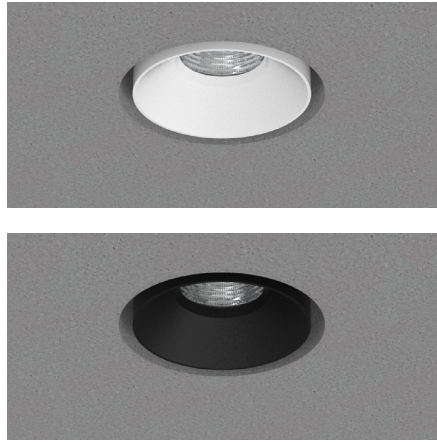
| | |
|---------------------|--|
| Code | 101 10 0031 --,--- |
| Installation | Trimless Concrete - Indoor/ Outdoor |
| Finish | Structured White/ Structured Black/ Custom |
| Material | Marine Grade Aluminium |

Technical Data

| | | | |
|---------------------------|---|----------------|------------------|
| Power (Luminaire) | 12W | | |
| Power (System) | 14w | | |
| Voltage | 240V-AC | | |
| Current | 350mA | | |
| Optics | Rotationally Symmetrical Direct 15°/ 30°/ 60° | | |
| Colour Temperature | 2700K | 3000K | 4000K |
| Luminous Flux | 956/ 1013/ 981 | 953/ 942/ 1037 | 1127/ 1095/ 1132 |
| TM30 | Rf95 Rg103 | | |
| CRI | Ra97 | | |
| Lumen Maintenance | L90 B10 50000hrs | | |
| Chromacity | <2 McAdam Step Ellipse | | |
| Articulation | Fixed | | |
| Ingress Protection | IP44 | | |
| Control Device | Control Excluded | | |
| Class | III | | |



Mono 100 Trimless Concrete Type 1



Model

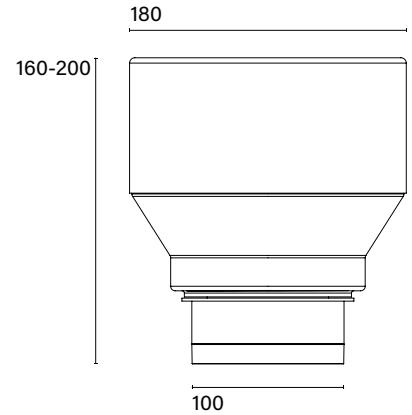
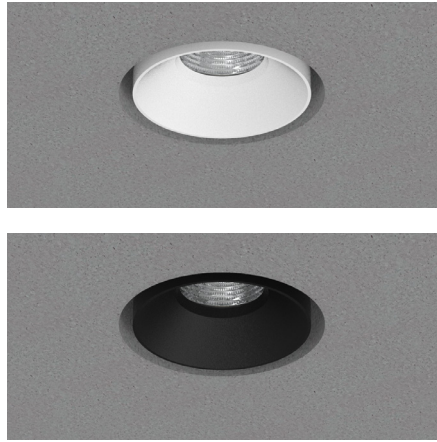
| | |
|---------------------|--|
| Code | 101 10 0031 --,--- |
| Installation | Trimless Concrete - Indoor/ Outdoor |
| Finish | Structured White/ Structured Black/ Custom |
| Material | Marine Grade Aluminium |

Technical Data

| | | | |
|---------------------------|---|------------------|------------------|
| Power (Luminaire) | 16W | | |
| Power (System) | 19w | | |
| Voltage | 240V-AC | | |
| Current | 500mA | | |
| Optics | Rotationally Symmetrical Direct 15°/ 30°/ 60° | | |
| Colour Temperature | 2700K | 3000K | 4000K |
| Luminous Flux | 1314/ 1300/ 1350 | 1320/ 1300/ 1436 | 1548/ 1508/ 1568 |
| TM30 | Rf95 Rg103 | | |
| CRI | Ra97 | | |
| Lumen Maintenance | L90 B10 50000hrs | | |
| Chromacity | <2 McAdam Step Ellipse | | |
| Articulation | Fixed | | |
| Ingress Protection | IP44 | | |
| Control Device | Control Excluded | | |
| Class | III | | |



Mono 100 Trimless Concrete Type 1



Model

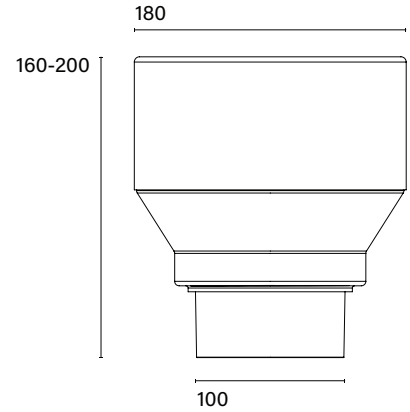
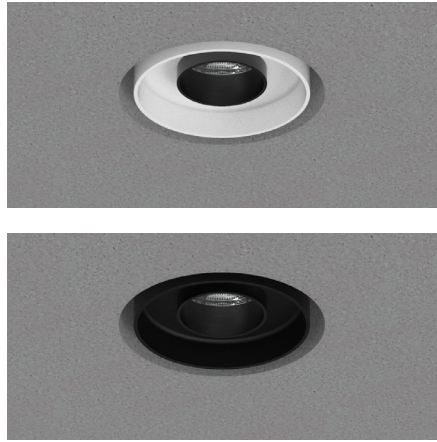
| | |
|---------------------|--|
| Code | 101 10 0031 --,--- |
| Installation | Trimless Concrete - Indoor/ Outdoor |
| Finish | Structured White/ Structured Black/ Custom |
| Material | Marine Grade Aluminium |

Technical Data

| | | | |
|---------------------------|---|------------------|------------------|
| Power (Luminaire) | 24W | | |
| Power (System) | 27w | | |
| Voltage | 240V-AC | | |
| Current | 700mA | | |
| Optics | Rotationally Symmetrical Direct 15°/ 30°/ 60° | | |
| Colour Temperature | 2700K | 3000K | 4000K |
| Luminous Flux | 1763/ 1750/ 1765 | 1781/ 1770/ 1939 | 2091/ 2029/ 2110 |
| TM30 | Rf95 Rg103 | | |
| CRI | Ra97 | | |
| Lumen Maintenance | L80 B20 50000hrs | | |
| Chromacity | <2 McAdam Step Ellipse | | |
| Articulation | Fixed | | |
| Ingress Protection | IP44 | | |
| Control Device | Control Excluded | | |
| Class | III | | |



Mono 100 Trimless Concrete Type 2



Model

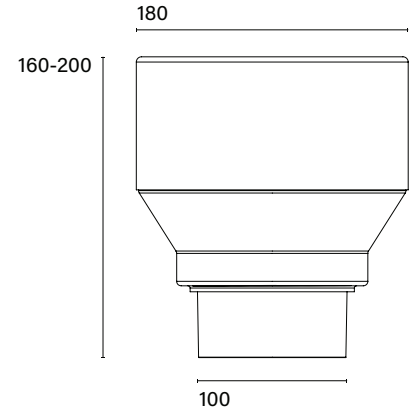
| | |
|---------------------|--|
| Code | 101 10 0032 --,--- |
| Installation | Trimless Concrete - Indoor/ Outdoor |
| Finish | Structured White/ Structured Black/ Custom |
| Material | Marine Grade Aluminium |

Technical Data

| | | | |
|---------------------------|---|----------------|------------------|
| Power (Luminaire) | 12W | | |
| Power (System) | 14w | | |
| Voltage | 240V-AC | | |
| Current | 350mA | | |
| Optics | Rotationally Symmetrical Direct 15°/ 30°/ 60° | | |
| Colour Temperature | 2700K | 3000K | 4000K |
| Luminous Flux | 956/ 1013/ 981 | 953/ 942/ 1037 | 1127/ 1095/ 1132 |
| TM30 | Rf95 Rg103 | | |
| CRI | Ra97 | | |
| Lumen Maintenance | L90 B10 50000hrs | | |
| Chromacity | <2 McAdam Step Ellipse | | |
| Articulation | Fixed | | |
| Ingress Protection | IP44 | | |
| Control Device | Control Excluded | | |
| Class | III | | |



Mono 100 Trimless Concrete Type 2



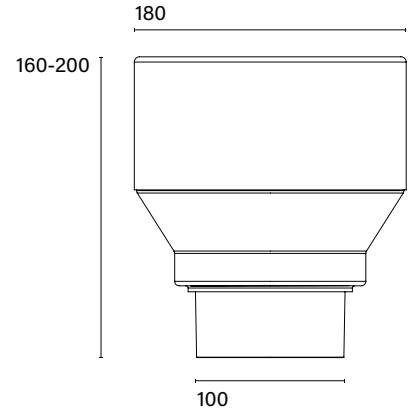
Model

| | |
|---------------------|--|
| Code | 101 10 0032 --,--- |
| Installation | Trimless Concrete - Indoor/ Outdoor |
| Finish | Structured White/ Structured Black/ Custom |
| Material | Marine Grade Aluminium |

Technical Data

| | | | |
|---------------------------|---|------------------|------------------|
| Power (Luminaire) | 16W | | |
| Power (System) | 19w | | |
| Voltage | 240V-AC | | |
| Current | 500mA | | |
| Optics | Rotationally Symmetrical Direct 15°/ 30°/ 60° | | |
| Colour Temperature | 2700K | 3000K | 4000K |
| Luminous Flux | 1314/ 1300/ 1350 | 1320/ 1300/ 1436 | 1548/ 1508/ 1568 |
| TM30 | Rf95 Rg103 | | |
| CRI | Ra97 | | |
| Lumen Maintenance | L90 B10 50000hrs | | |
| Chromacity | <2 McAdam Step Ellipse | | |
| Articulation | Fixed | | |
| Ingress Protection | IP44 | | |
| Control Device | Control Excluded | | |
| Class | III | | |

Mono 100 Trimless Concrete Type 2



Model

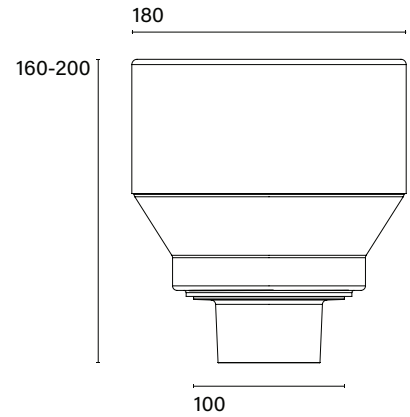
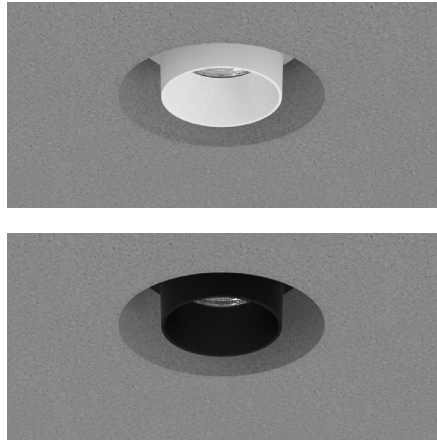
| | |
|---------------------|--|
| Code | 101 10 0032 --,--- |
| Installation | Trimless Concrete - Indoor/ Outdoor |
| Finish | Structured White/ Structured Black/ Custom |
| Material | Marine Grade Aluminium |

Technical Data

| | | | |
|---------------------------|---|------------------|------------------|
| Power (Luminaire) | 24W | | |
| Power (System) | 27w | | |
| Voltage | 240V-AC | | |
| Current | 700mA | | |
| Optics | Rotationally Symmetrical Direct 15°/ 30°/ 60° | | |
| Colour Temperature | 2700K | 3000K | 4000K |
| Luminous Flux | 1763/ 1750/ 1765 | 1781/ 1770/ 1939 | 2091/ 2029/ 2110 |
| TM30 | Rf95 Rg103 | | |
| CRI | Ra97 | | |
| Lumen Maintenance | L80 B20 50000hrs | | |
| Chromacity | <2 McAdam Step Ellipse | | |
| Articulation | Fixed | | |
| Ingress Protection | IP44 | | |
| Control Device | Control Excluded | | |
| Class | III | | |



Mono 100 Trimless Concrete Type 3



Model

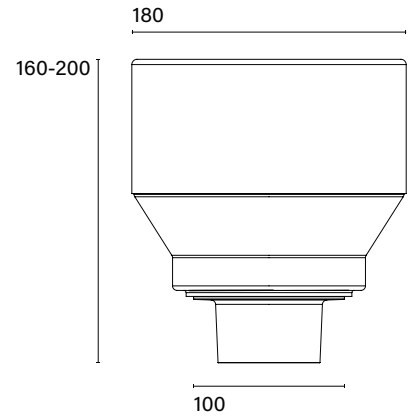
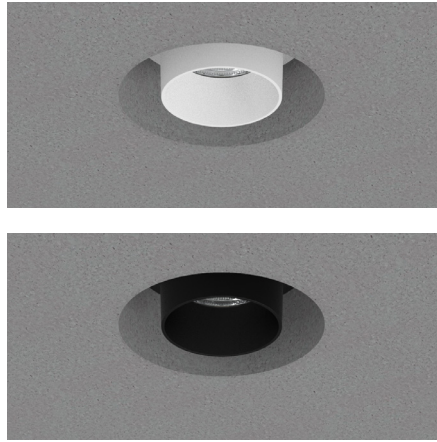
| | |
|---------------------|--|
| Code | 101 10 0033 --,--- |
| Installation | Trimless Concrete - Indoor/ Outdoor |
| Finish | Structured White/ Structured Black/ Custom |
| Material | Marine Grade Aluminium |

Technical Data

| | | | |
|---------------------------|---|----------------|------------------|
| Power (Luminaire) | 12W | | |
| Power (System) | 14w | | |
| Voltage | 240V-AC | | |
| Current | 350mA | | |
| Optics | Rotationally Symmetrical Direct 15°/ 30°/ 60° | | |
| Colour Temperature | 2700K | 3000K | 4000K |
| Luminous Flux | 956/ 1013/ 981 | 953/ 942/ 1037 | 1127/ 1095/ 1132 |
| TM30 | Rf95 Rg103 | | |
| CRI | Ra97 | | |
| Lumen Maintenance | L90 B10 50000hrs | | |
| Chromacity | <2 McAdam Step Ellipse | | |
| Articulation | Fixed | | |
| Ingress Protection | IP44 | | |
| Control Device | Control Excluded | | |
| Class | III | | |



Mono 100 Trimless Concrete Type 3



Model

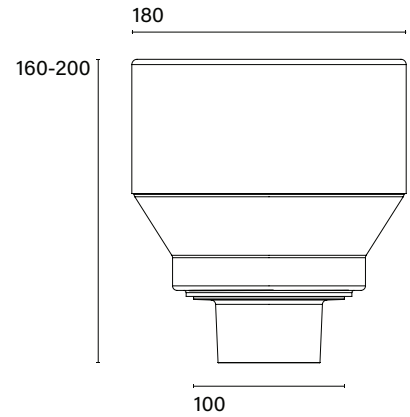
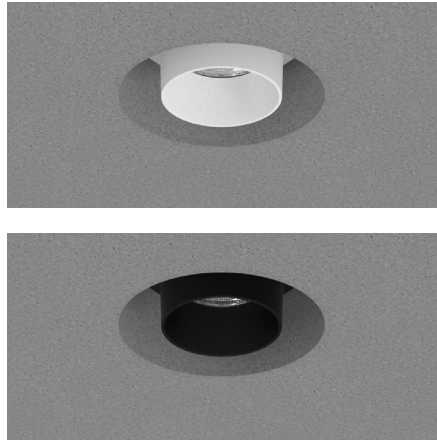
| | |
|---------------------|--|
| Code | 101 10 0033 --,--- |
| Installation | Trimless Concrete - Indoor/ Outdoor |
| Finish | Structured White/ Structured Black/ Custom |
| Material | Marine Grade Aluminium |

Technical Data

| | | | |
|---------------------------|---|------------------|------------------|
| Power (Luminaire) | 16W | | |
| Power (System) | 19w | | |
| Voltage | 240V-AC | | |
| Current | 500mA | | |
| Optics | Rotationally Symmetrical Direct 15°/ 30°/ 60° | | |
| Colour Temperature | 2700K | 3000K | 4000K |
| Luminous Flux | 1314/ 1300/ 1350 | 1320/ 1300/ 1436 | 1548/ 1508/ 1568 |
| TM30 | Rf95 Rg103 | | |
| CRI | Ra97 | | |
| Lumen Maintenance | L90 B10 50000hrs | | |
| Chromacity | <2 McAdam Step Ellipse | | |
| Articulation | Fixed | | |
| Ingress Protection | IP44 | | |
| Control Device | Control Excluded | | |
| Class | III | | |



Mono 100 Trimless Concrete Type 3



Model

| | |
|---------------------|--|
| Code | 101 10 003318.010 |
| Installation | Trimless Concrete - Indoor/ Outdoor |
| Finish | Structured White/ Structured Black/ Custom |
| Material | Marine Grade Aluminium |

Technical Data

| | | | |
|---------------------------|---|------------------|------------------|
| Power (Luminaire) | 24W | | |
| Power (System) | 27w | | |
| Voltage | 240V-AC | | |
| Current | 700mA | | |
| Optics | Rotationally Symmetrical Direct 15°/ 30°/ 60° | | |
| Colour Temperature | 2700K | 3000K | 4000K |
| Luminous Flux | 1763/ 1750/ 1765 | 1781/ 1770/ 1939 | 2091/ 2029/ 2110 |
| TM30 | Rf95 Rg103 | | |
| CRI | Ra97 | | |
| Lumen Maintenance | L80 B20 50000hrs | | |
| Chromacity | <2 McAdam Step Ellipse | | |
| Articulation | Fixed | | |
| Ingress Protection | IP44 | | |
| Control Device | Control Excluded | | |
| Class | III | | |

