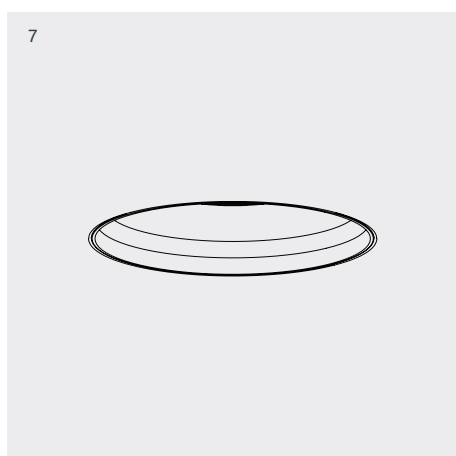
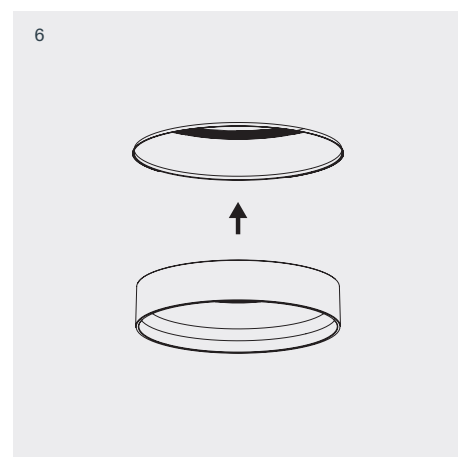
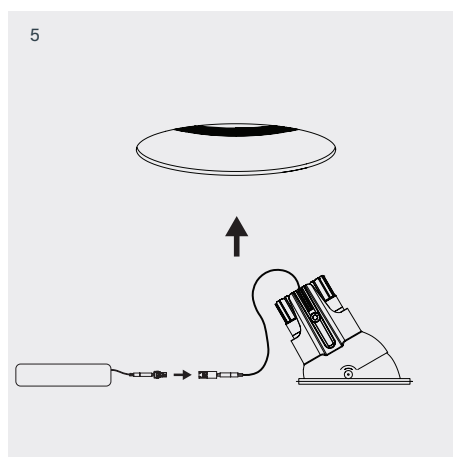
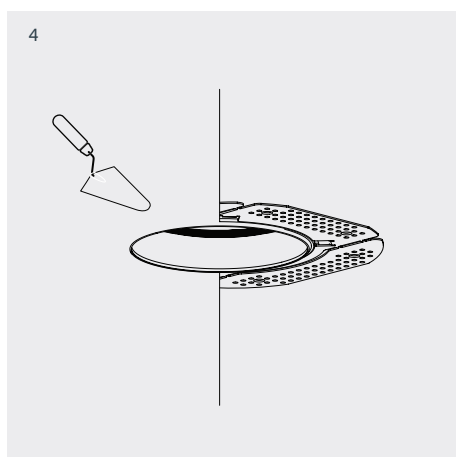
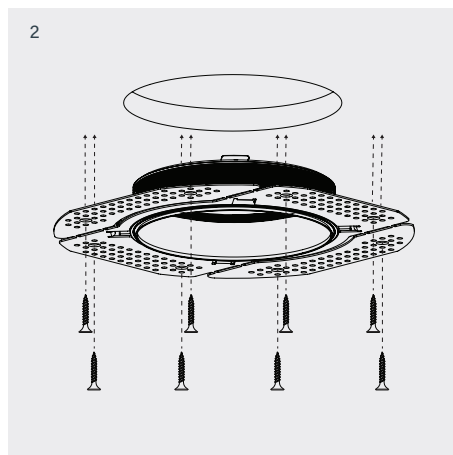
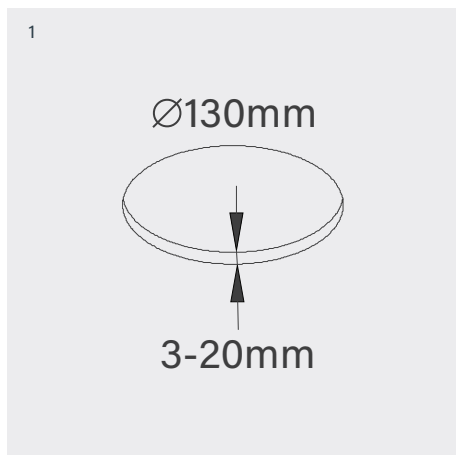


Accent 100 Trimless Directional Type 2

100 10 0042 --,---

Power	8W
Voltage	240V-AC
Class	III
Ingress Protection	IP20
Cut-Out	Ø130 x 130mm Depth



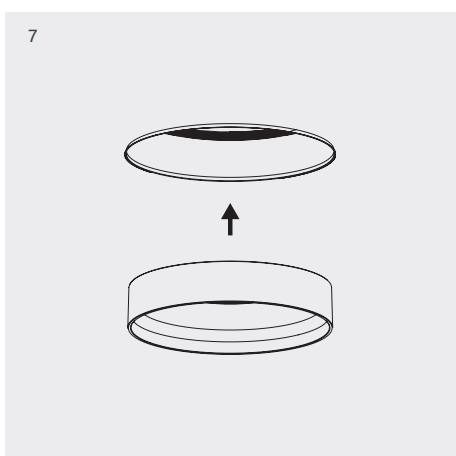
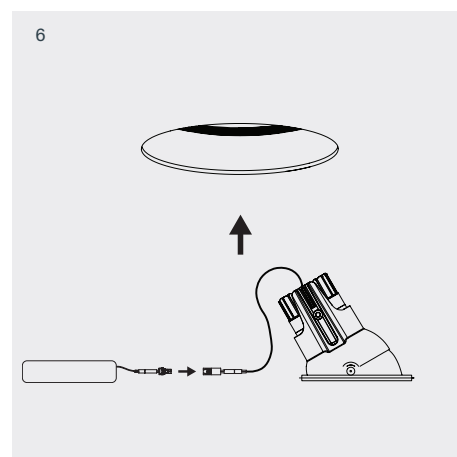
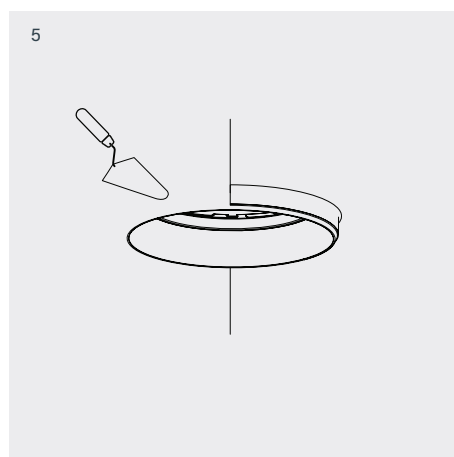
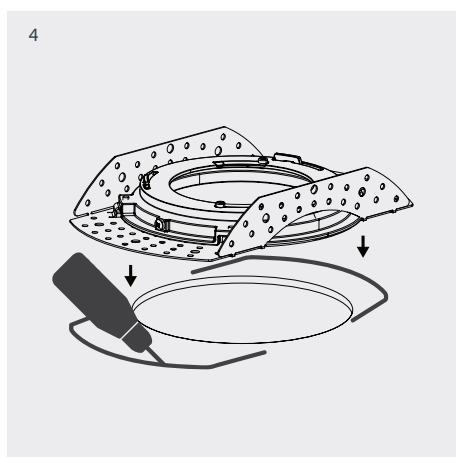
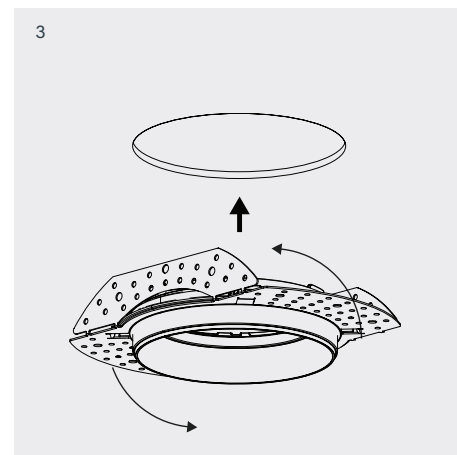
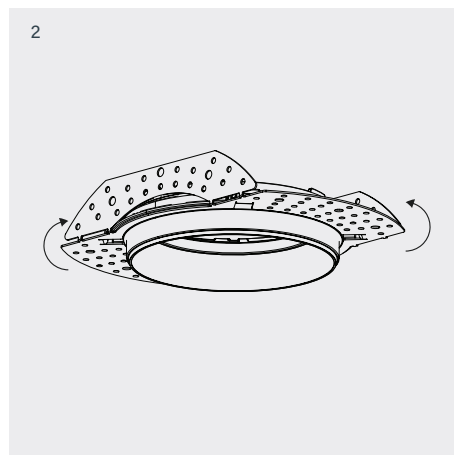
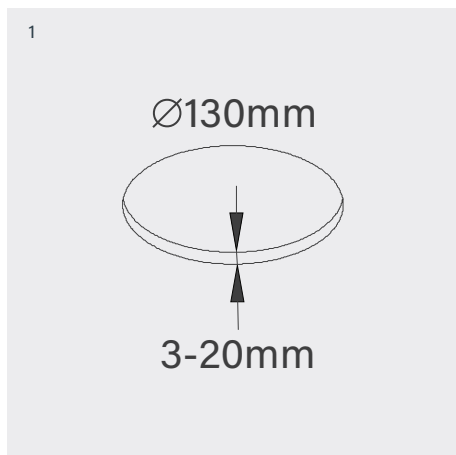
Installation below plasterboard

- 1 Cut 130mm diameter aperture.
- 2-3 Adjust recessing kit face to appropriate depth and secure with locking screw located on the back of the housing. Screw recessing kit into plasterboard.
- 4 Plaster to edge of recessing kit.
- 5 Plug driver into luminaire and mount in recessing kit by lining up tabs on housing with tabs on recessing kit.
- 6 Screw facade into recessing kit.

Accent 100 Trimless Directional Type 2

100 10 0042 --,---

Power	8W
Voltage	240V-AC
Class	III
Ingress Protection	IP20
Cut-Out	Ø130 x 130mm Depth



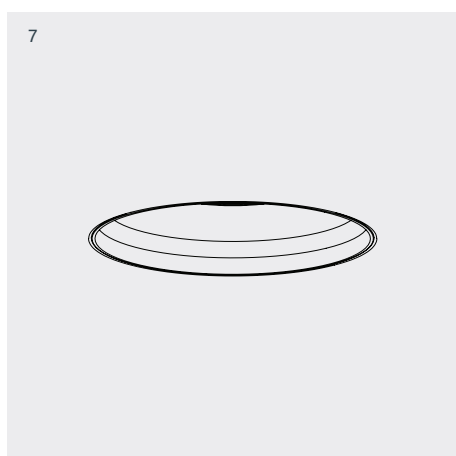
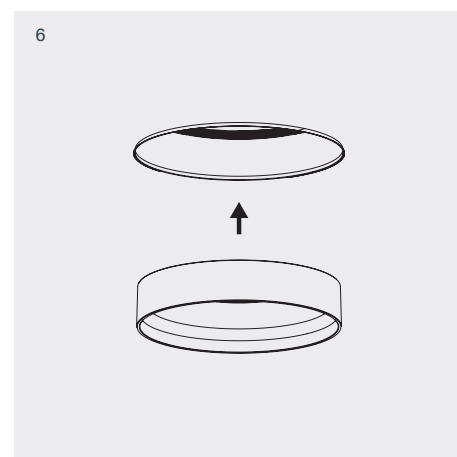
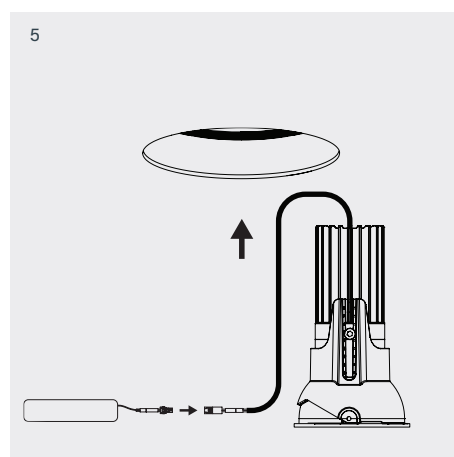
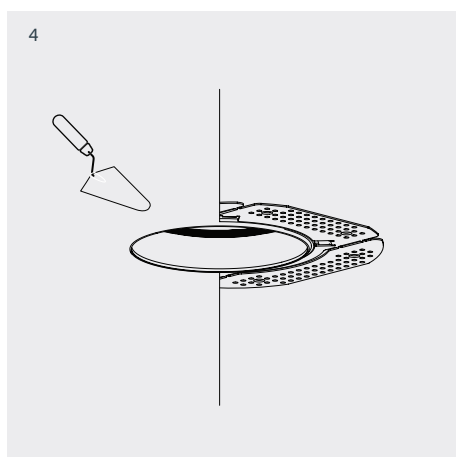
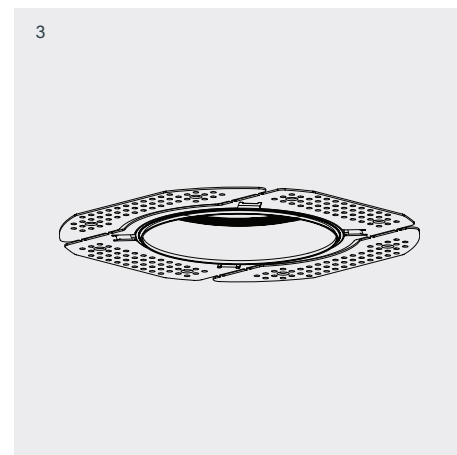
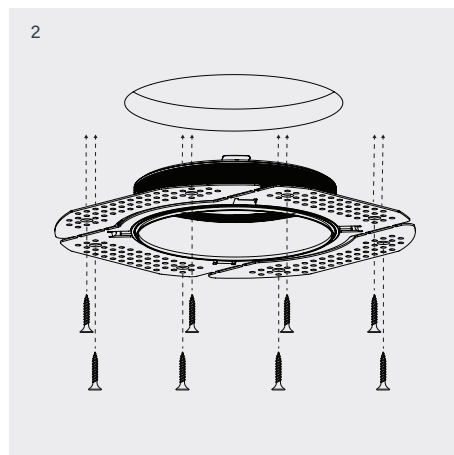
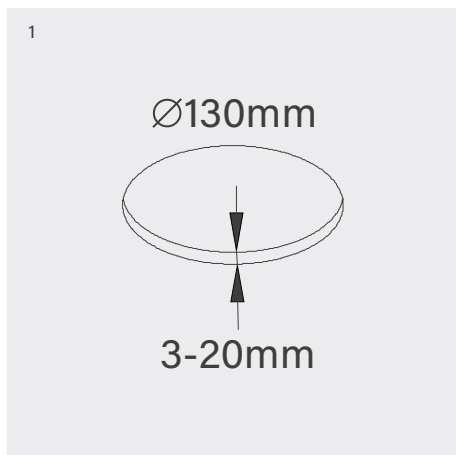
Installation above plasterboard

- 1 Cut 130mm diameter aperture.
- 2 Adjust recessing kit face to appropriate depth and secure with locking screw located on the back of the housing. Fold back recessing kit mount's flaps.
- 3 Rotate recessing kit and insert into the aperture.
- 4 Apply liquid nails to secure recessing kit to plasterboard.
- 5 Plaster to edge of recessing kit.
- 6 Plug driver into luminaire and mount in recessing kit by lining up tabs on housing with tabs on recessing kit.
- 7 Screw facade into recessing kit.

Accent 100 Directional Trimless Type 2

100 10 0042 --,---

Power	14W
Voltage	240V-AC
Class	III
Ingress Protection	IP20
Cut-Out	Ø130 x 140mm Depth



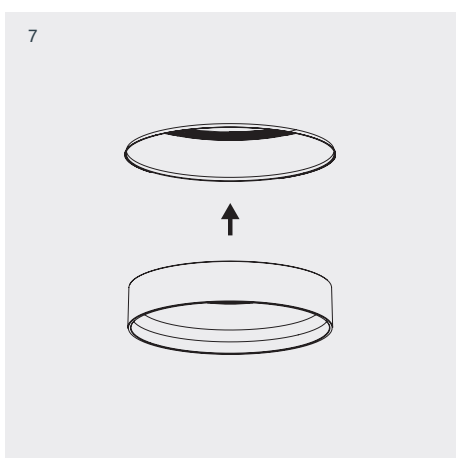
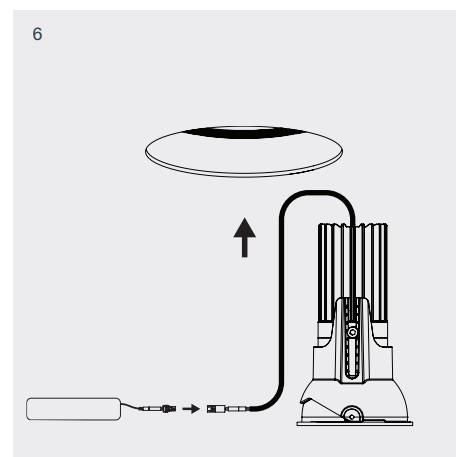
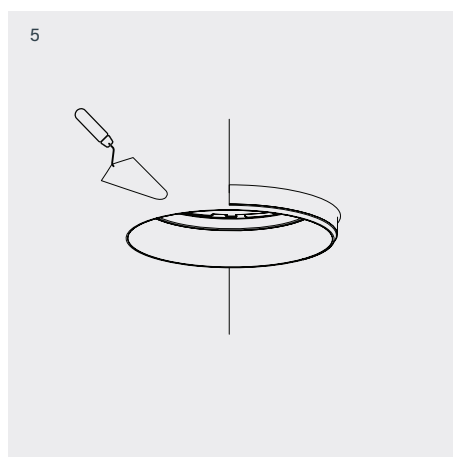
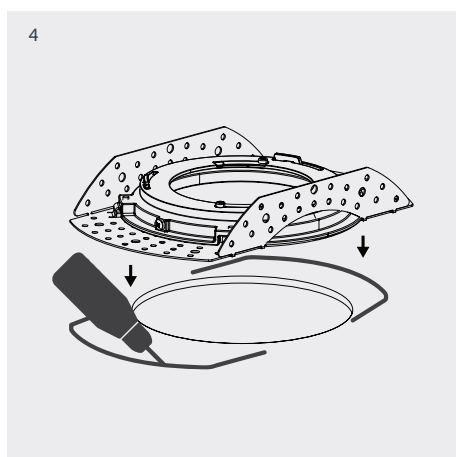
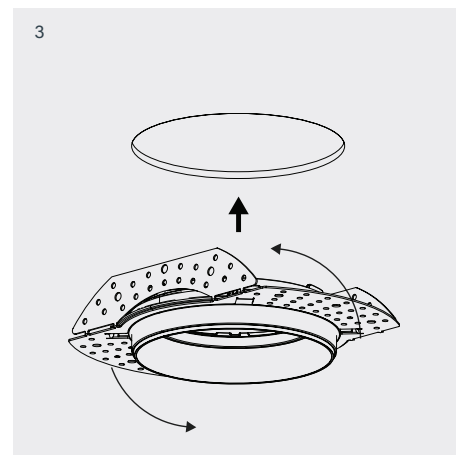
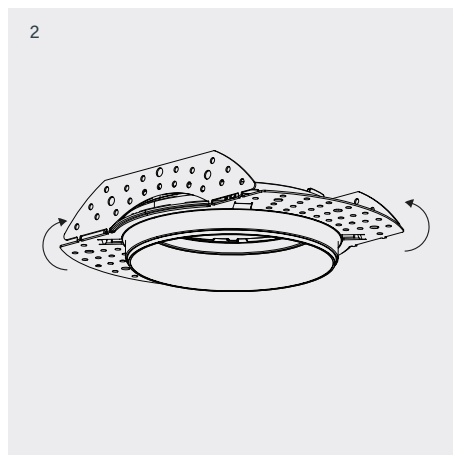
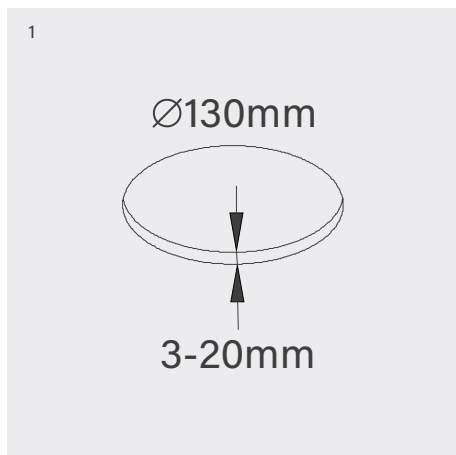
Installation below plasterboard

- 1 Cut 130mm diameter aperture.
- 2-3 Adjust recessing kit face to appropriate depth and secure with locking screw located on the back of the housing. Screw recessing kit into plasterboard.
- 4 Plaster to edge of recessing kit.
- 5 Plug driver into luminaire and mount in recessing kit by lining up tabs on housing with tabs on recessing kit.
- 6 Screw facade into recessing kit.

Accent 100 Trimless Directional Type 2

100 10 0042 --,---

Power	14W
Voltage	240V-AC
Class	III
Ingress Protection	IP20
Cut-Out	Ø130 x 140mm Depth



Installation above plasterboard

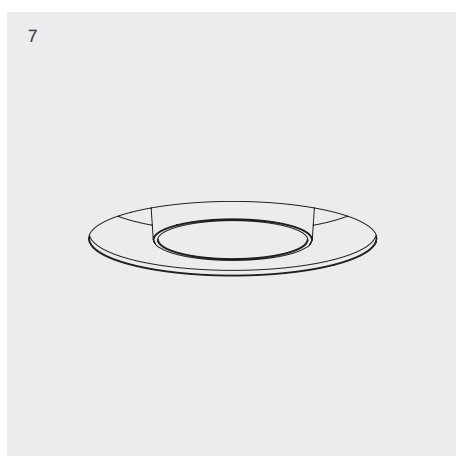
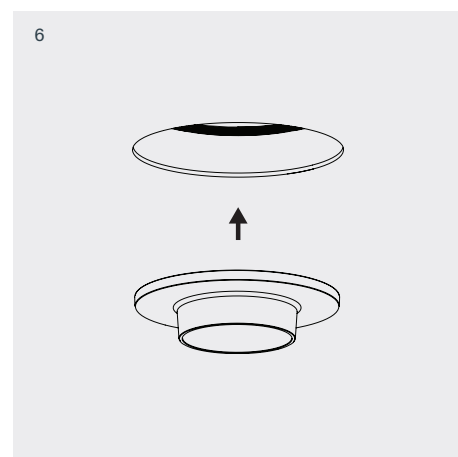
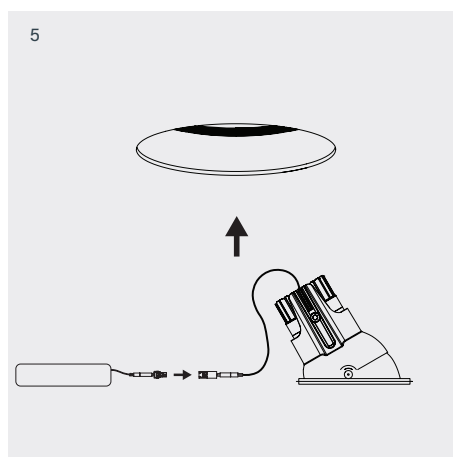
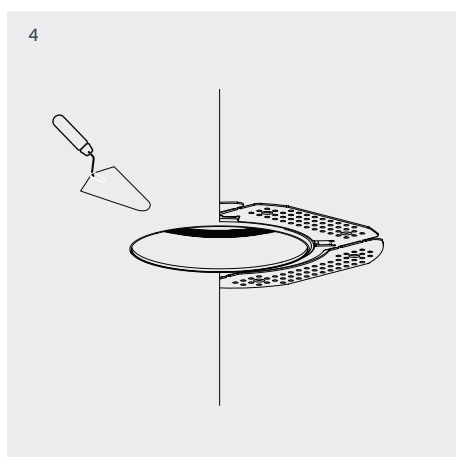
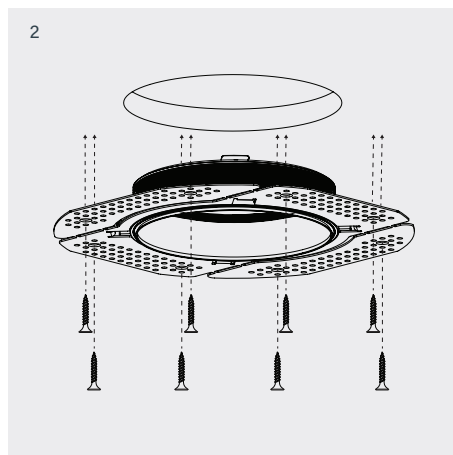
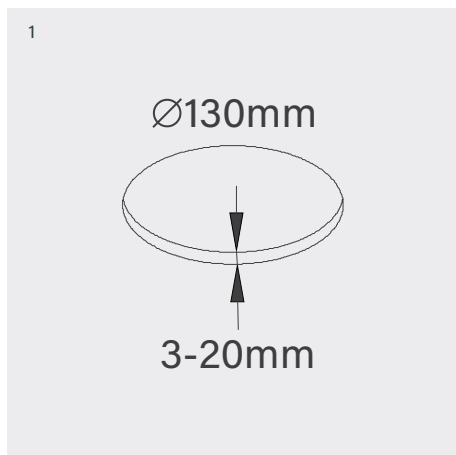
- 1 Cut 130mm diameter aperture.
- 2 Adjust recessing kit face to appropriate depth and secure with locking screw located on the back of the housing. Fold back recessing kit mount's flaps.
- 3 Rotate recessing kit and insert into the aperture.
- 4 Apply liquid nails to secure recessing kit to plasterboard.
- 5 Plaster to edge of recessing kit.
- 6 Plug driver into luminaire and mount in recessing kit by lining up tabs on housing with tabs on recessing kit.
- 7 Screw facade into recessing kit.



Accent 100 Trimless Directional Type 3

100 10 0043 --,---

Power	8W
Voltage	240V-AC
Class	III
Ingress Protection	IP20
Cut-Out	Ø130 x 130mm Depth



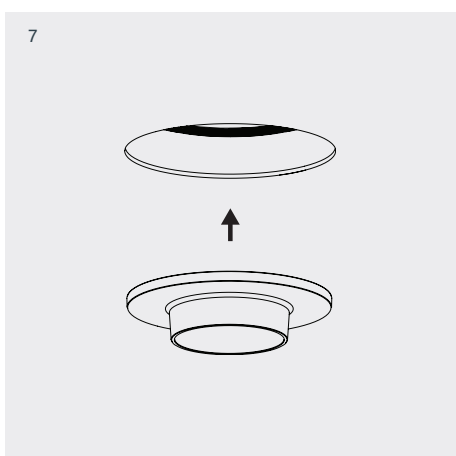
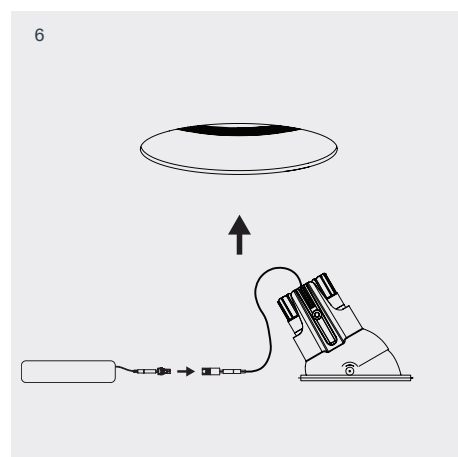
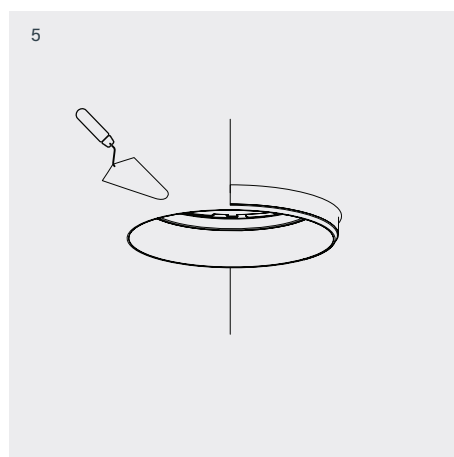
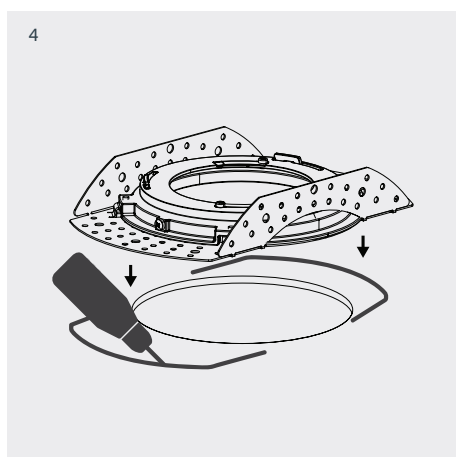
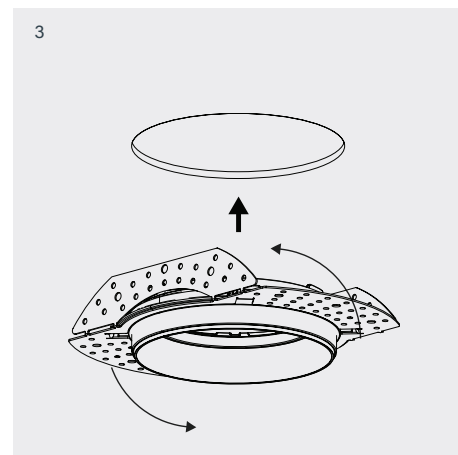
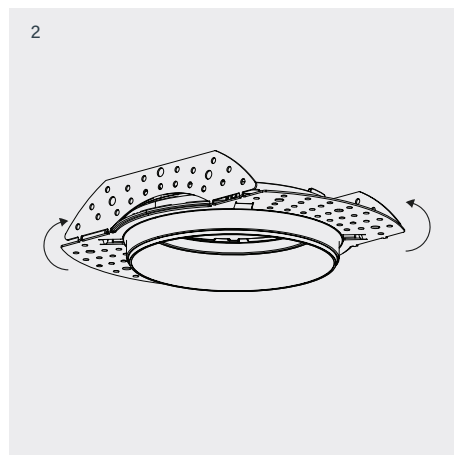
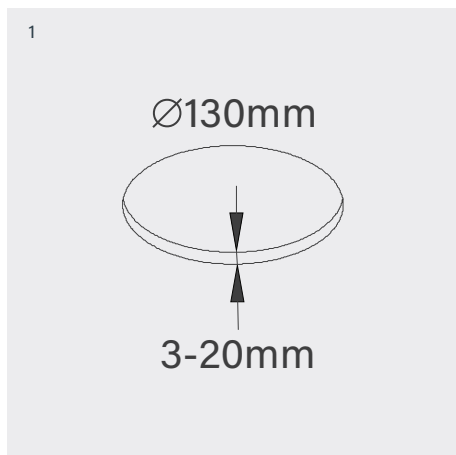
Installation below plasterboard

- 1 Cut 130mm diameter aperture.
- 2-3 Adjust recessing kit face to appropriate depth and secure with locking screw located on the back of the housing. Screw recessing kit into plasterboard.
- 4 Plaster to edge of recessing kit.
- 5 Plug driver into luminaire and mount in recessing kit by lining up tabs on housing with tabs on recessing kit.
- 6 Screw facade into recessing kit.

Accent 100 Trimless Directional Type 3

100 10 0043 ---

Power	8W
Voltage	240V-AC
Class	III
Ingress Protection	IP20
Cut-Out	Ø130 x 130mm Depth



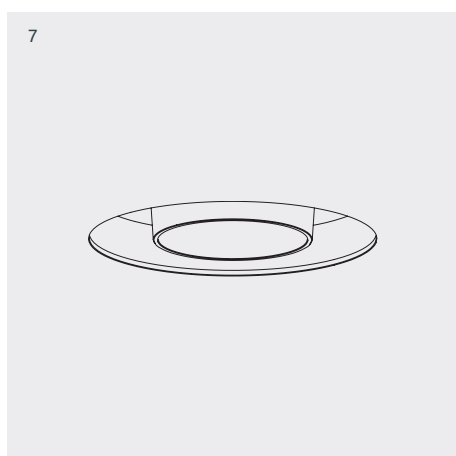
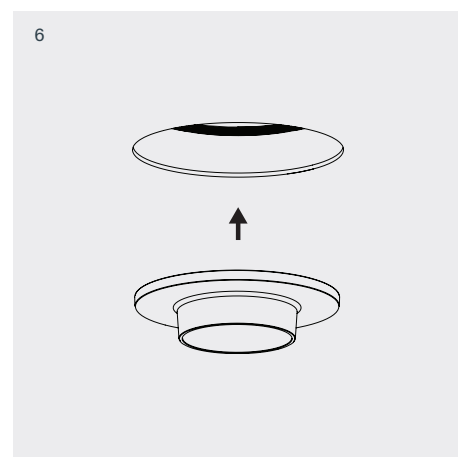
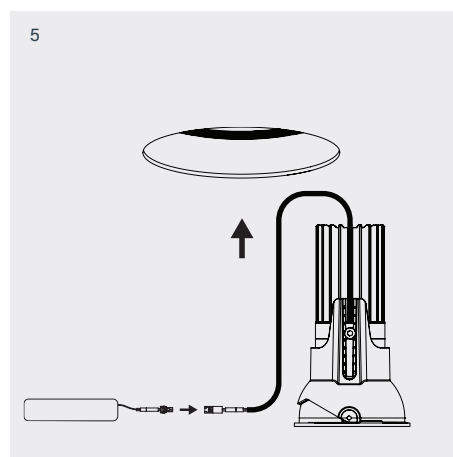
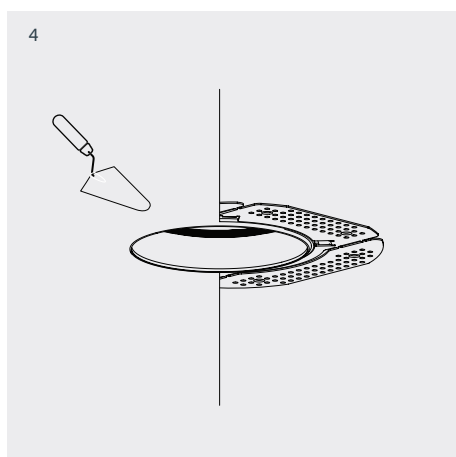
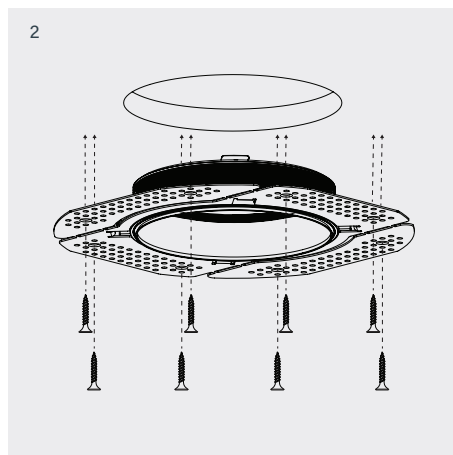
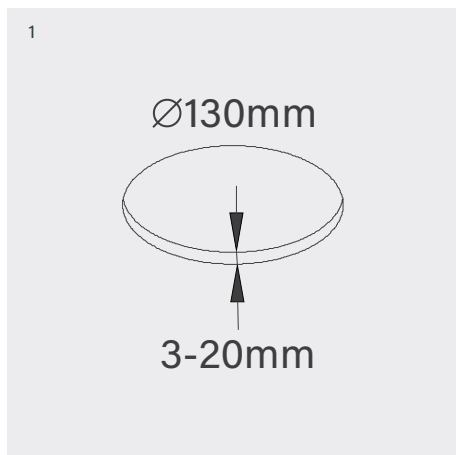
Installation above plasterboard

- 1 Cut 130mm diameter aperture.
- 2 Adjust recessing kit face to appropriate depth and secure with locking screw located on the back of the housing. Fold back recessing kit mount's flaps.
- 3 Rotate recessing kit and insert into the aperture.
- 4 Apply liquid nails to secure recessing kit to plasterboard.
- 5 Plaster to edge of recessing kit.
- 6 Plug driver into luminaire and mount in recessing kit by lining up tabs on housing with tabs on recessing kit.
- 7 Screw facade into recessing kit.

Accent 100 Trimless Directional Type 3

100 10 0043 ---,---

Power	14W
Voltage	240V-AC
Class	III
Ingress Protection	IP20
Cut-Out	Ø130 x 140mm Depth



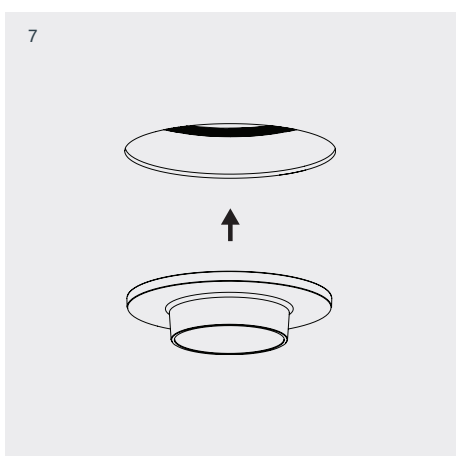
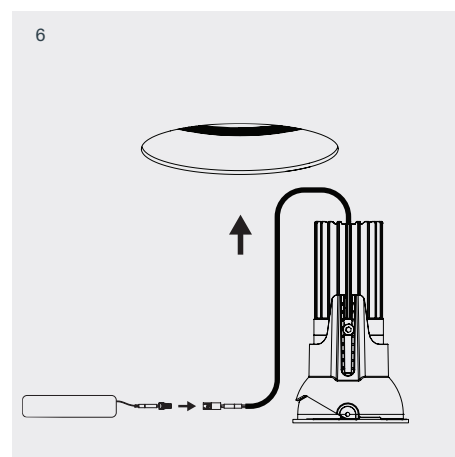
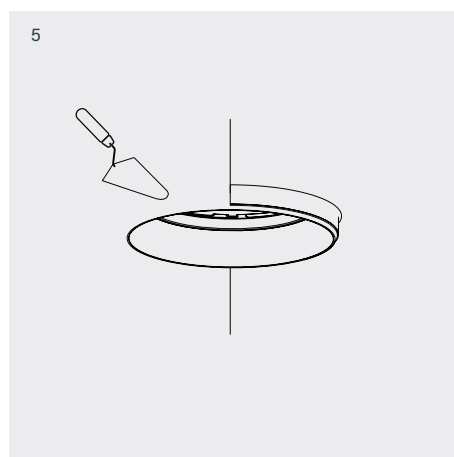
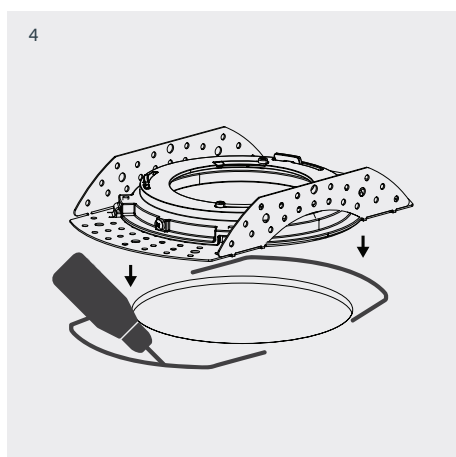
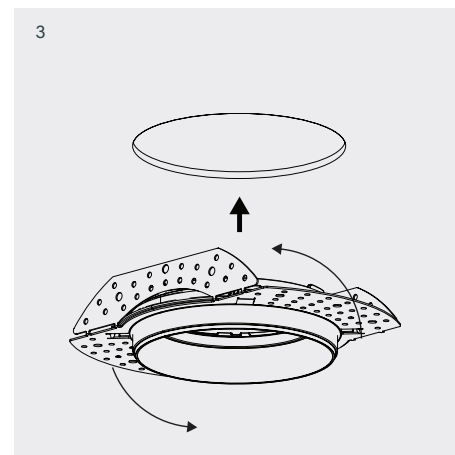
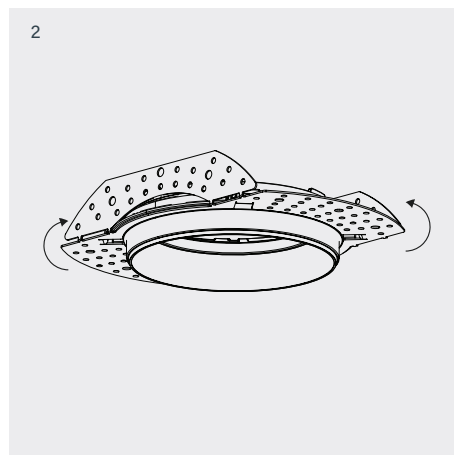
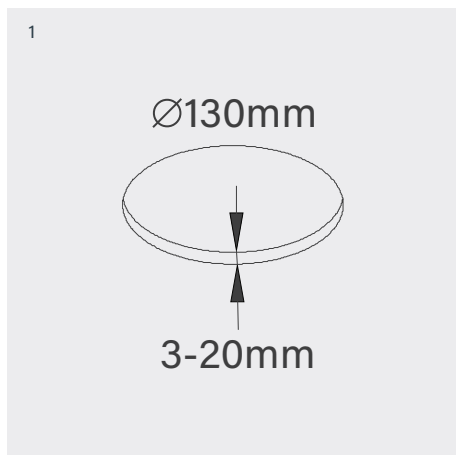
Installation below plasterboard

- 1 Cut 130mm diameter aperture.
- 2-3 Adjust recessing kit face to appropriate depth and secure with locking screw located on the back of the housing. Screw recessing kit into plasterboard.
- 4 Plaster to edge of recessing kit.
- 5 Plug driver into luminaire and mount in recessing kit by lining up tabs on housing with tabs on recessing kit.
- 6 Screw facade into recessing kit.

Accent 100 Trimless Directional Type 3

100 10 0043--,-

Power	8W
Voltage	240V-AC
Class	III
Ingress Protection	IP20
Cut-Out	Ø130 x 130mm Depth



- Installation above plasterboard**
- 1 Cut 130mm diameter aperture.
 - 2 Adjust recessing kit face to appropriate depth and secure with locking screw located on the back of the housing. Fold back recessing kit mount's flaps.
 - 3 Rotate recessing kit and insert into the aperture.
 - 4 Apply liquid nails to secure recessing kit to plasterboard.
 - 5 Plaster to edge of recessing kit.
 - 6 Plug driver into luminaire and mount in recessing kit by lining up tabs on housing with tabs on recessing kit.
 - 7 Screw facade into recessing kit.