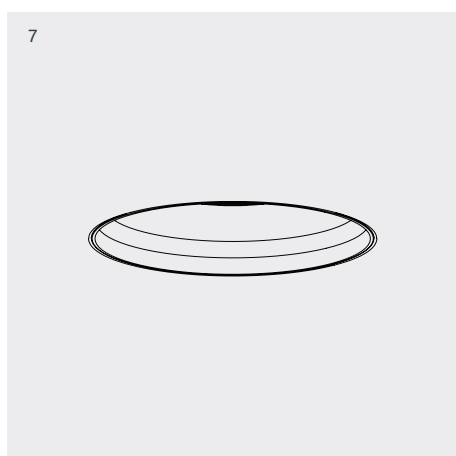
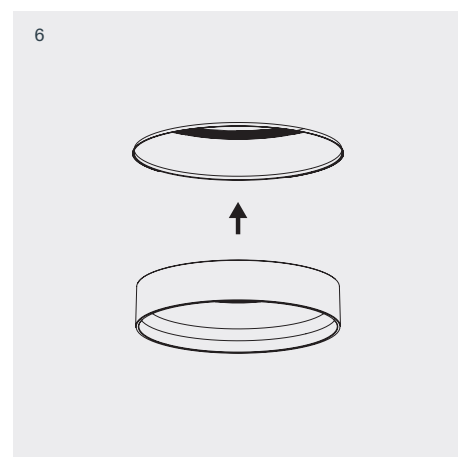
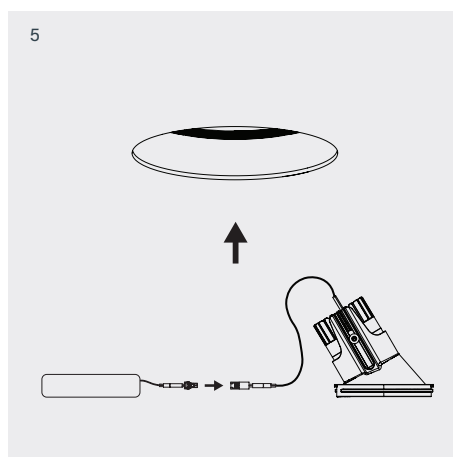
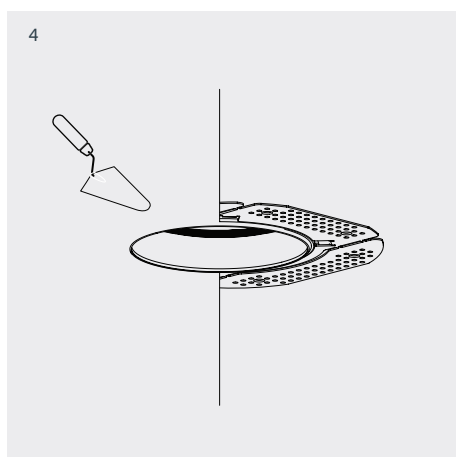
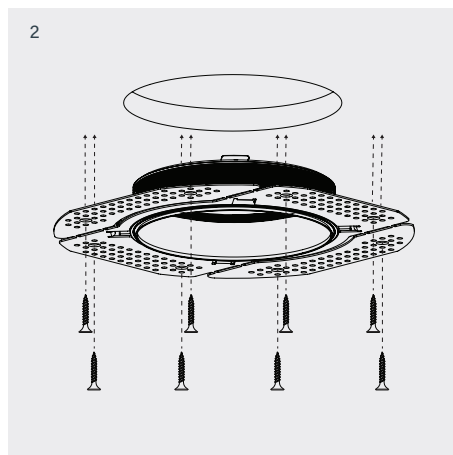
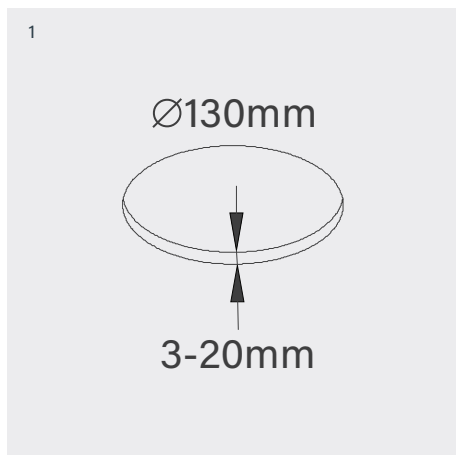


### Accent 100 Trimless Asymmetrical Type 2

100 10 0052 --,---

Power	8W
Voltage	240V-AC
Class	III
Ingress Protection	IP20
Cut-Out	Ø130 x 130mm Depth



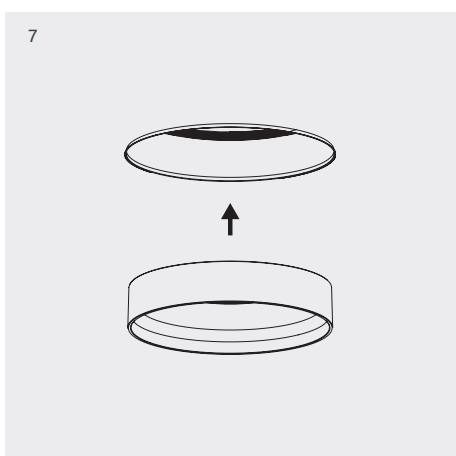
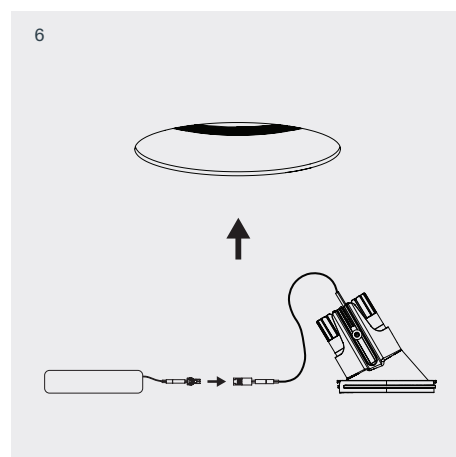
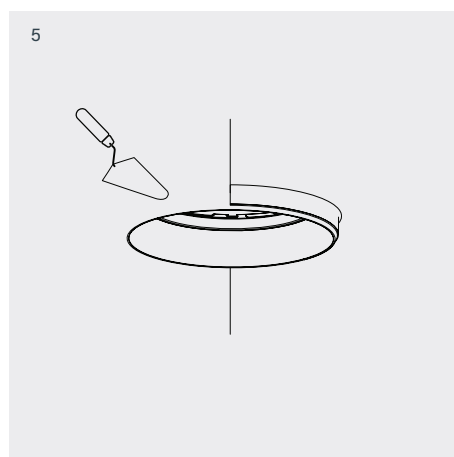
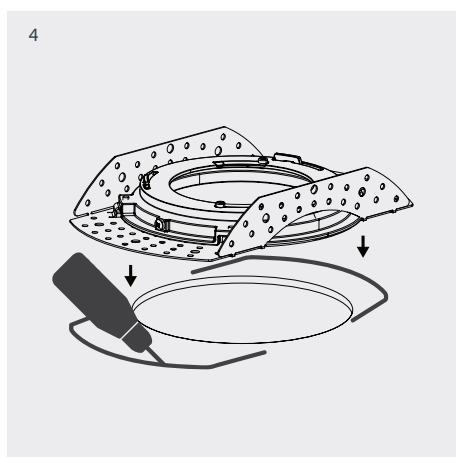
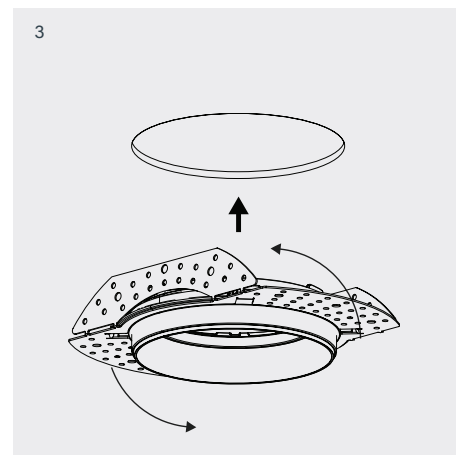
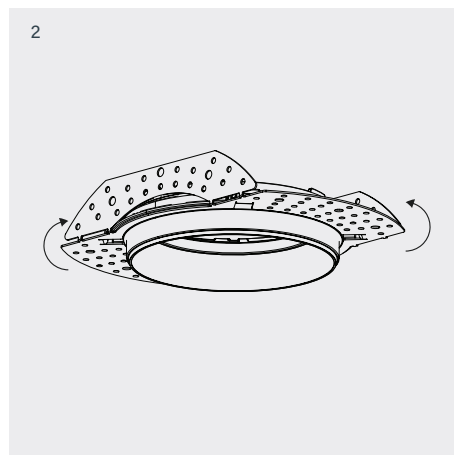
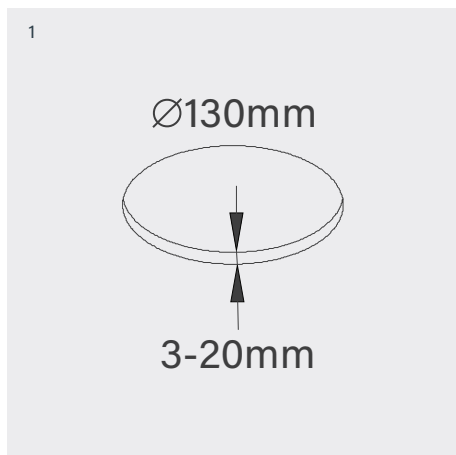
#### Installation below plasterboard

- 1 Cut 130mm diameter aperture.
- 2-3 Adjust recessing kit face to appropriate depth and secure with locking screw located on the back of the housing. Screw recessing kit into plasterboard.
- 4 Plaster to edge of recessing kit.
- 5 Plug driver into luminaire and mount in recessing kit by lining up tabs on housing with tabs on recessing kit.
- 6 Screw facade into recessing kit.

### Accent 100 Trimless Asymmetrical Type 2

100 10 0052 --,---

Power	8W
Voltage	240V-AC
Class	III
Ingress Protection	IP20
Cut-Out	Ø130 x 130mm Depth



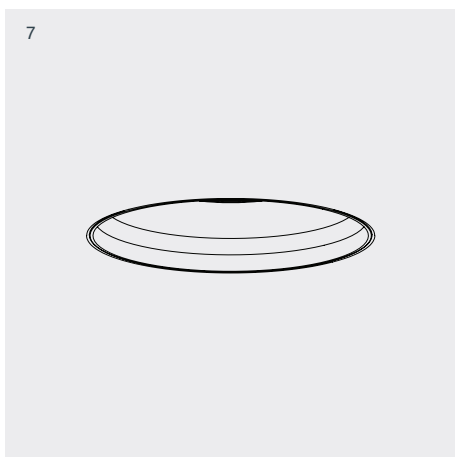
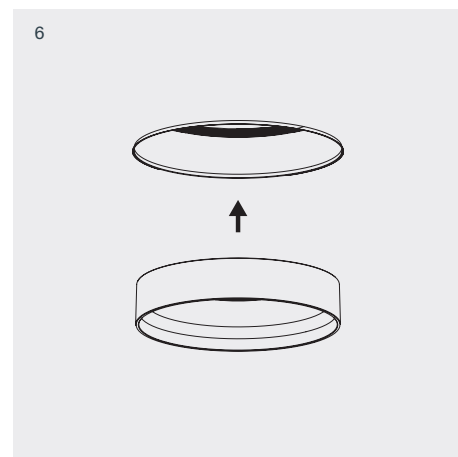
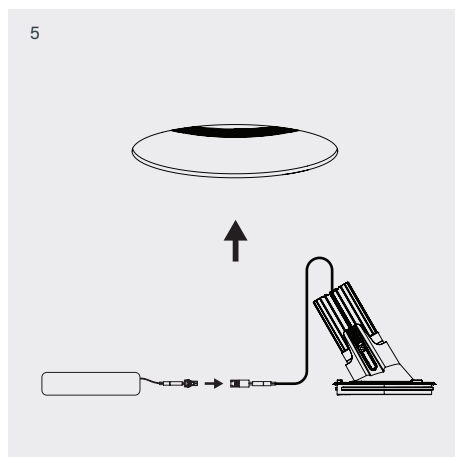
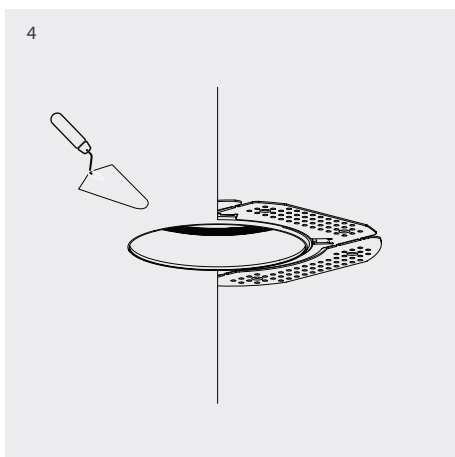
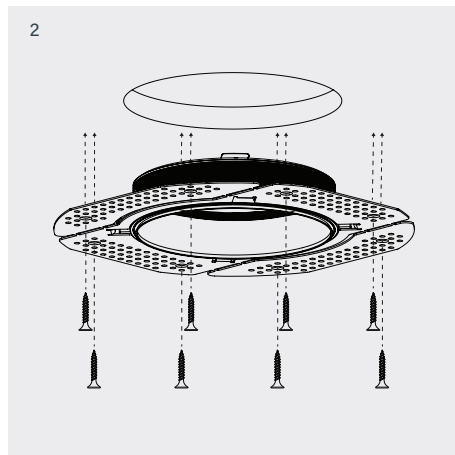
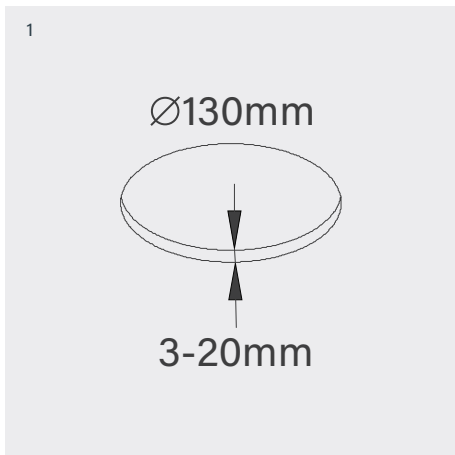
#### Installation above plasterboard

- 1 Cut 130mm diameter aperture.
- 2 Adjust recessing kit face to appropriate depth and secure with locking screw located on the back of the housing. Fold back recessing kit mount's flaps.
- 3 Rotate recessing kit and insert into the aperture.
- 4 Apply liquid nails to secure recessing kit to plasterboard.
- 5 Plaster to edge of recessing kit.
- 6 Plug driver into luminaire and mount in recessing kit by lining up tabs on housing with tabs on recessing kit.
- 7 Screw facade into recessing kit.

Accent 100 Trimless Asymmetrical Type 2

100 10 0052 --,---

Power	8W
Voltage	240V-AC
Class	III
Ingress Protection	IP20
Cut-Out	Ø130 x 130mm Depth



**Installation below plasterboard**

- 1 Cut 130mm diameter aperture.
- 2-3 Adjust recessing kit face to appropriate depth and secure with locking screw located on the back of the housing. Screw recessing kit into plasterboard.
- 4 Plaster to edge of recessing kit.
- 5 Plug driver into luminaire and mount in recessing kit by lining up tabs on housing with tabs on recessing kit.
- 6 Screw facade into recessing kit.

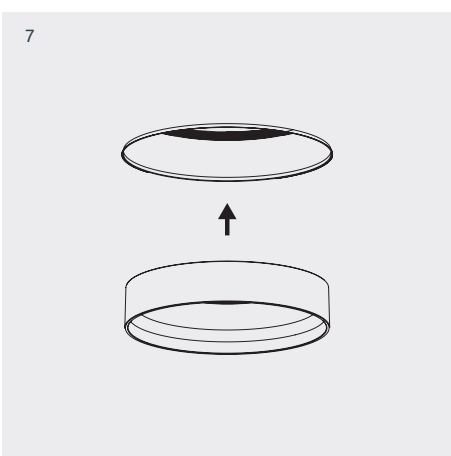
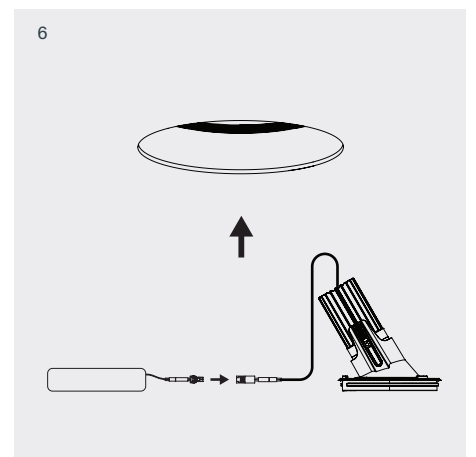
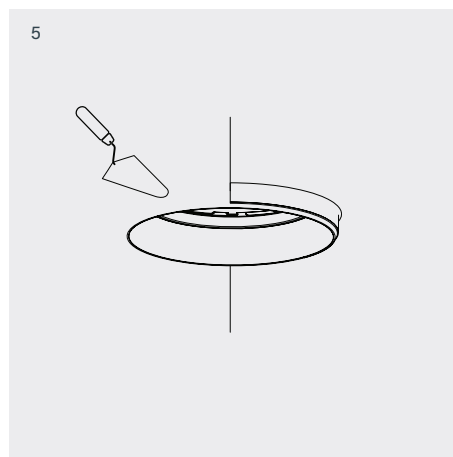
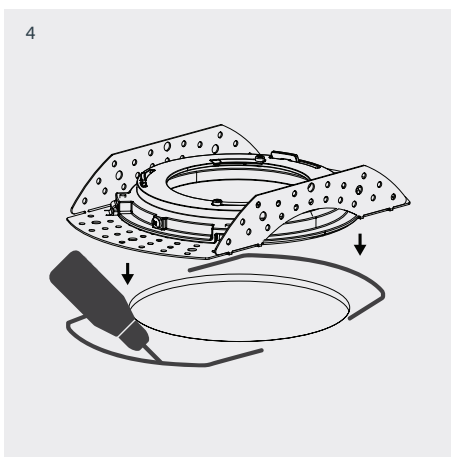
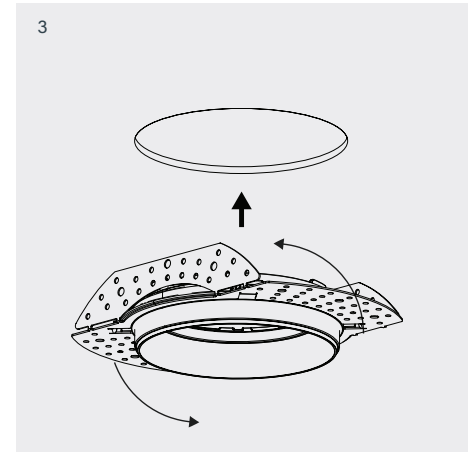
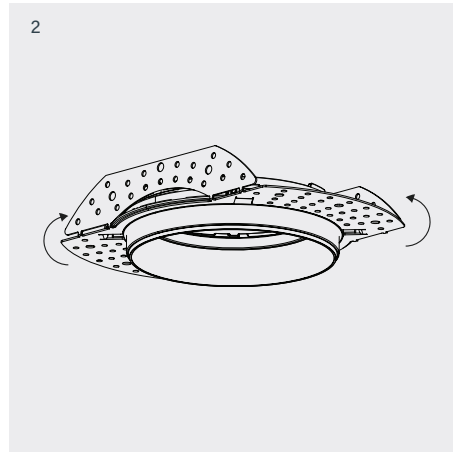
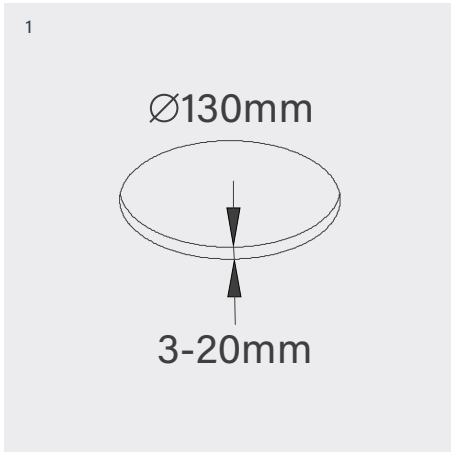
Lorem ipsum



### Accent 100 Trimless Asymmetrical Type 2

100 10 0052 --,---

Power	8W
Voltage	240V-AC
Class	III
Ingress Protection	IP20
Cut-Out	Ø130 x 130mm Depth



#### Installation above plasterboard

- 1 Cut 130mm diameter aperture.
- 2 Adjust recessing kit face to appropriate depth and secure with locking screw located on the back of the housing. Fold back recessing kit mount's flaps.
- 3 Rotate recessing kit and insert into the aperture.
- 4 Apply liquid nails to secure recessing kit to plasterboard.
- 5 Plaster to edge of recessing kit.
- 6 Plug driver into luminaire and mount in recessing kit by lining up tabs on housing with tabs on recessing kit.
- 7 Screw facade into recessing kit.