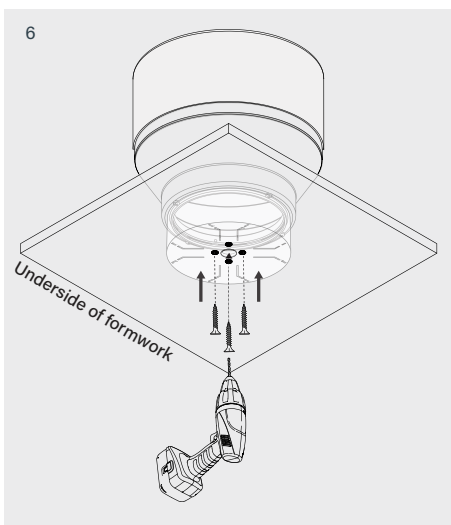
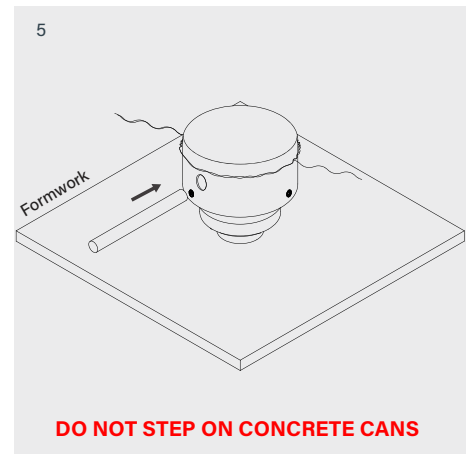
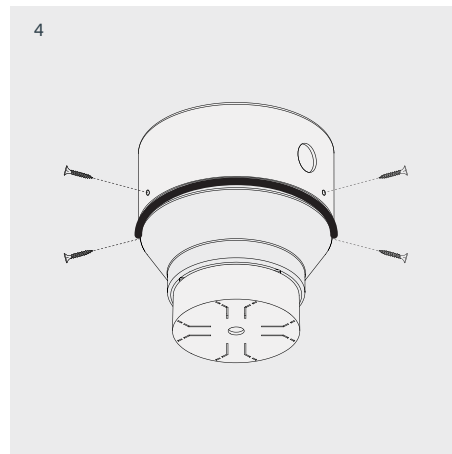
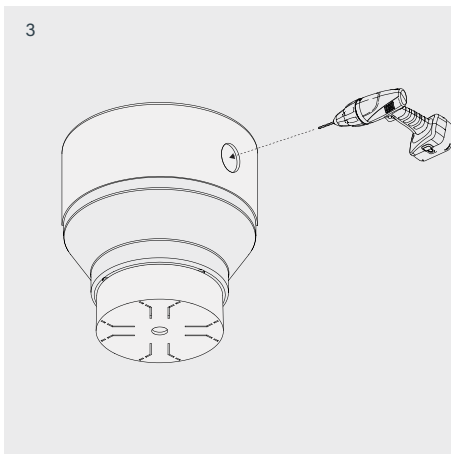
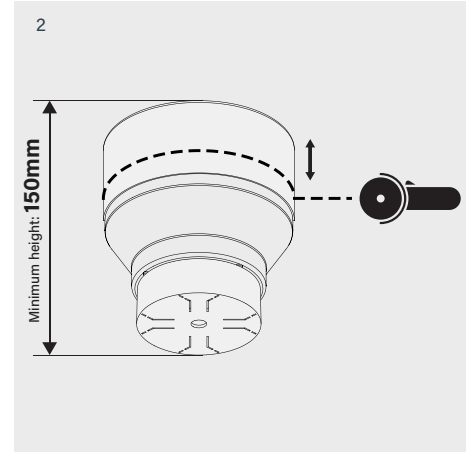
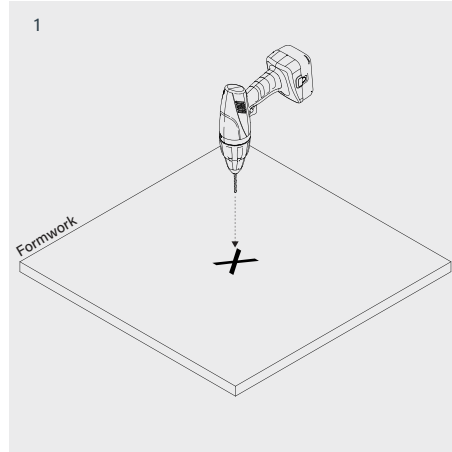
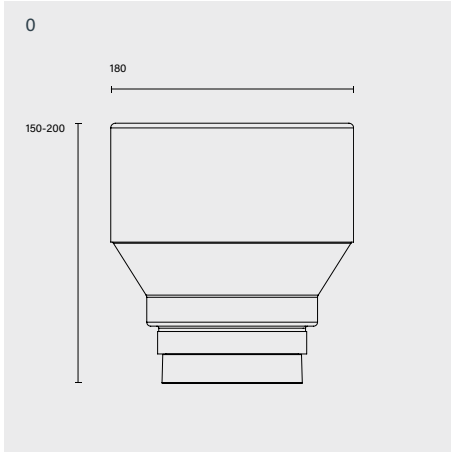


Accent 100 IP
Trimless Concrete Directional Type 2

100 10 0172 --,---

Power	8W
Voltage	240V-AC
Class	III
Ingress Protection	IP44



Installation before concrete pour

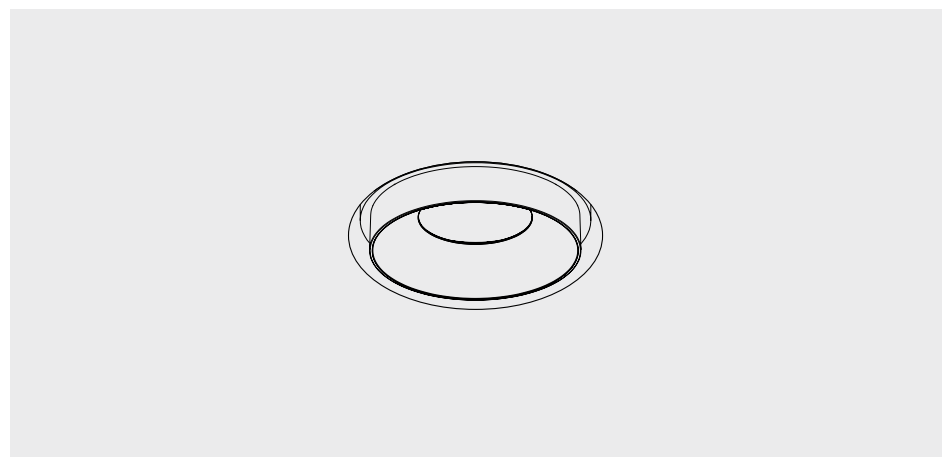
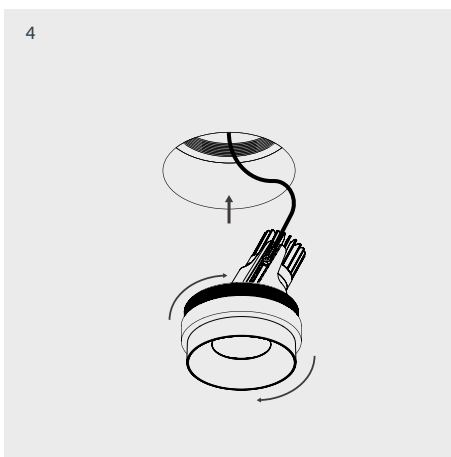
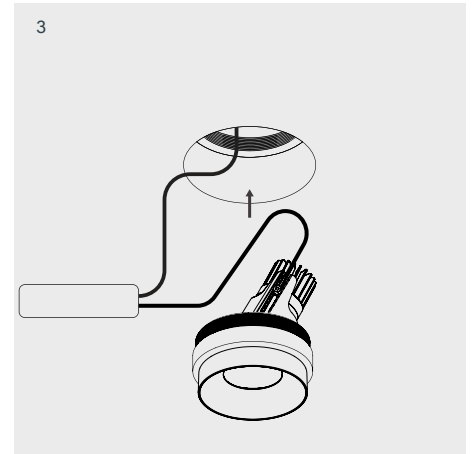
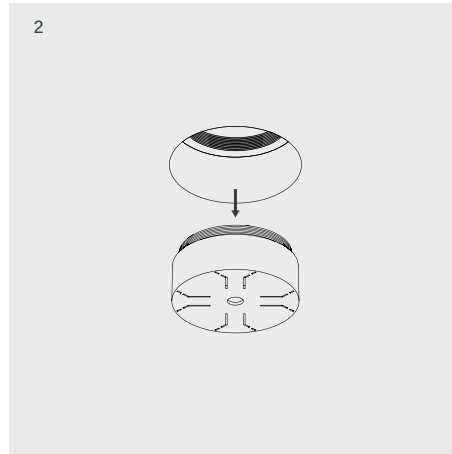
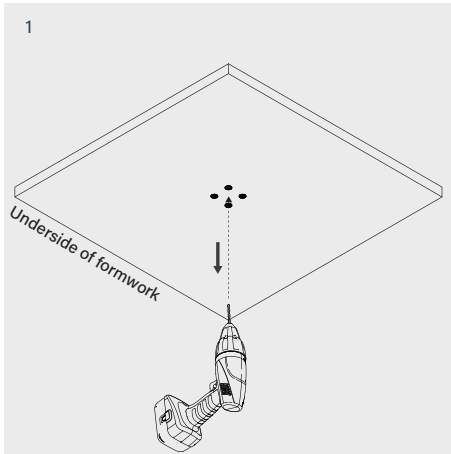
- 1 Mark desired placement of light fitting and drill a location mark from the top of the formwork.
- 2 Mark height of light fitting. Cut to size if needed. If needed adjust by trimming to required height. **MINIMUM HEIGHT: 150MM**
- 3 To reduce stress on Plastic block mark and drill holes for conduits, before fixing the assembly to the formwork.
- 4 Fix and seal cover to body with screws. Seal openings with silicone.
- 5 Install conduit to concrete kit cover. Apply silicone to conduit hole. Tie down concrete kit to rebar with tie wire. **APPLY RELEASE AGENT ON PLASTIC BLOCKOUTS.**
- 6 Fix concrete kit by screwing block to formwork with mounting screws **FROM THE UNDERSIDE OF THE FORMWORK.**

DO NOT STEP ON CONCRETE CANS WHILE SECURING THEM IN PLACE OR WHILE POURING CONCRETE. FAILING TO DO SO COULD DAMAGE THE CANS AND COMPROMISE THEIR INTEGRITY.

Accent 100 IP
Trimless Concrete Directional Type 2

100 10 0172 --,----

Power	8W
Voltage	240V-AC
Class	III
Ingress Protection	IP44



Installation after concrete pour

- 1 Once concrete has set, remove screws from the underside of the formwork before removing the formwork.
DO NOT REMOVE FORMWORK WITHOUT REMOVING THE SCREWS SECURING THE BLOCK.
 Removing the formwork without removing the screws securing the block will cause the block to break.
- 2 Remove the Block.
- 3 Insert driver into concrete kit and attach it to cover with tape.
- 4 Thread fitting into concrete kit.